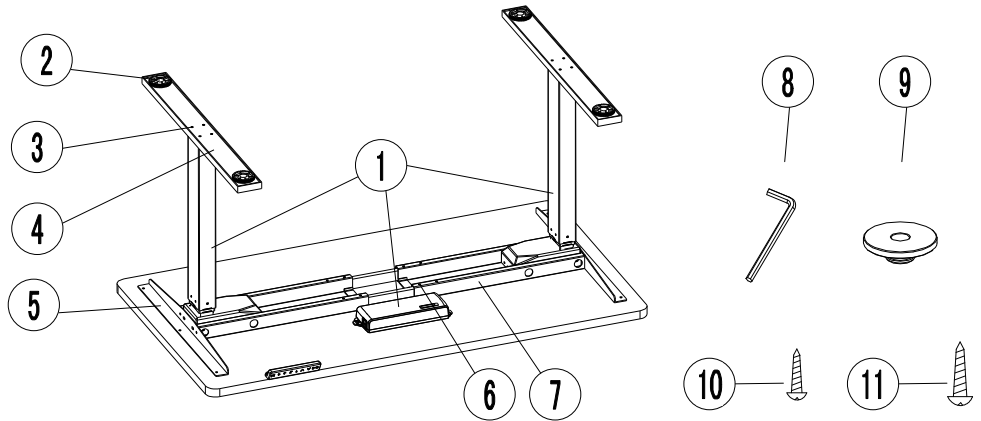


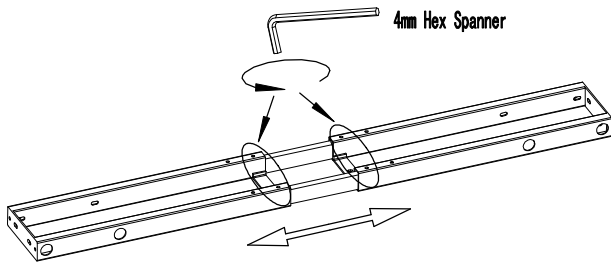
Assembly Instructions

Parts and Tools list

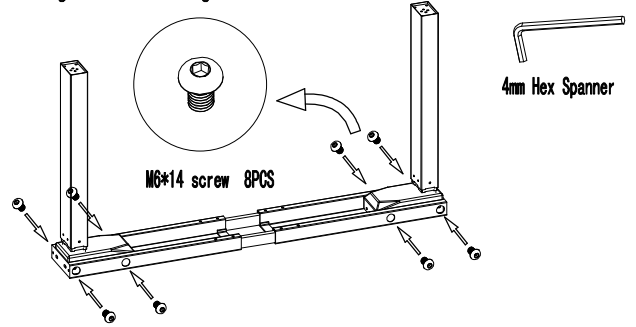
NO.	Name	Qty
1	Lifting System	1set
2	Foot Pad	4
3	M6*14 Screw	24
4	Foot Margin	2
5	Bracket	2
6	M6*10 Screw	8
7	Support Beam	1
8	4mm Hex Spanner	1
9	Rubber Cushion	8
10	ST3.5*19 Screw	2
11	ST4.8*19 Screw	10



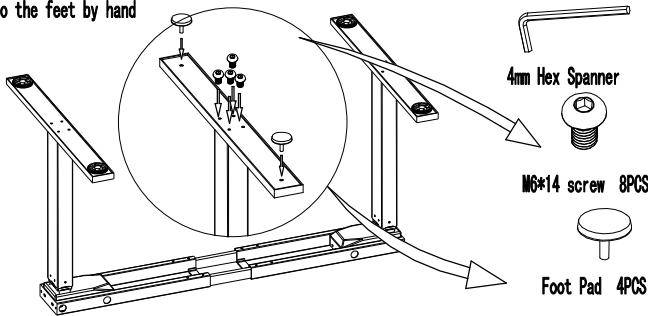
- 1** Loosen the 4 screws of beam using 4MM hex spanner, adjust the beam to proper position to fit the desktop



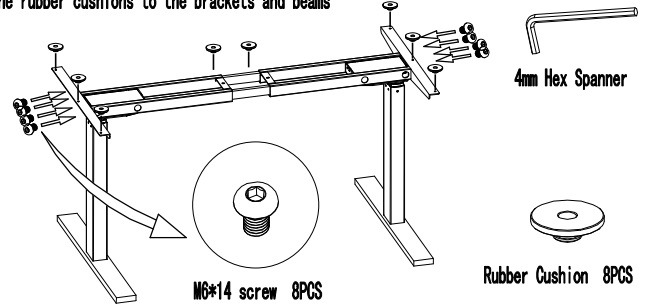
- 2** Attach legs to the beam using 8 of M6*14 screws



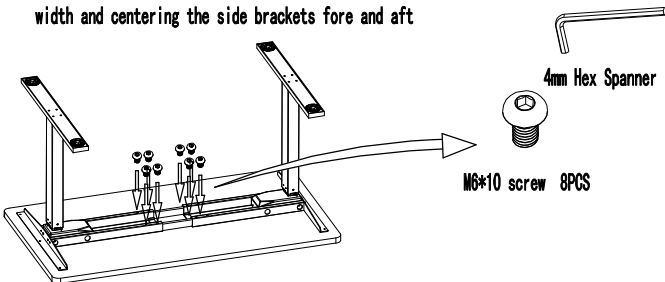
- 3** Attach feet to the legs using 8 of M6*14 screws, attach the 4 of levelling foot pads to the feet by hand



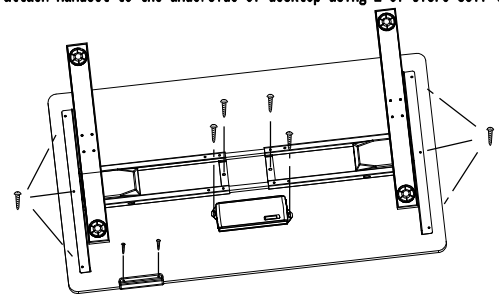
- 4** Overturn frame and attach brackets to beam using 8 of M6*14 screws, and then fit the rubber cushions to the brackets and beams



- 5** Adjust the width of desk frame to fit the desktop by sliding the beam, we recommend leaving at least 5-8CM of the desktop width (on each end) protruding beyond the frame width and centering the side brackets fore and aft



- 6** Attach the control box to the underside of the desktop using 10 of ST4.8 self-tapping screws, attach handset to the underside of desktop using 2 of ST3.5 self-tapping screw



- 7** Connect the control box to the handset and to the motor

